

**WIWA**®

because it works



PROFIT  
**WIWA** PHOENIX GX

[WWW.WIWA.COM](http://WWW.WIWA.COM)

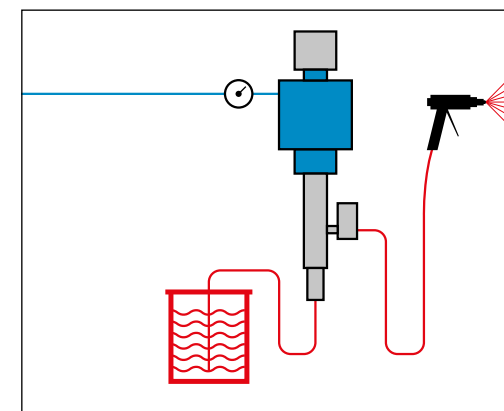
## WIWA PROFIT – UNIQUELY VERSATILE FOR YOUR SUCCESS



WIWA PROFIT

Trusted by tens of thousands of customers around the world and subject to continual optimisation!

The WIWA PROFIT series offers versatile, high quality pump systems for almost all areas of application. The varied performance data and broad range of equipment options enable us to offer units for almost all application techniques in the wood and metalworking industries, as well as for the painting and finishing trades. Our decades of experience, continual development activities in close cooperation with paint and finishing product manufacturers and our inhouse precision manufacturing of all components have led to our success in the decorative and protective surface coating sector. The equipment in the PROFIT series is available in rust and acid proof versions and therefore ideally suited to processing water based coatings. The pressure ratio can be adjusted to different conditions by replacing a small number of parts, thereby saving on additional investment. Carefully selected, premium quality materials create high durability and reduce the wear and tear of all parts that come into contact with the fluid. Minimal repair costs and downtime create satisfied customers all over the world. Robust, reliable and versatile WIWA technology to your benefit.



WIWA PROFIT  
Airless spraying units

### AIRLESS High pressure

**Economical, environmentally friendly spraying method with high surface area coverage.**

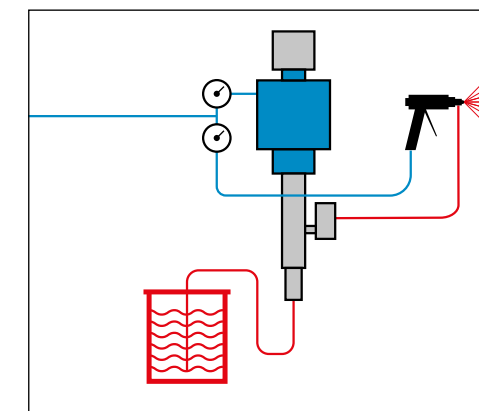
The high pressure pump draws the spraying agent from any desired container and transfers it to the spray gun under high hydraulic pressure via a high pressure hose.

Fine, airless atomisation is achieved through a specially designed spray nozzle. The spray jet is directed onto the material at high speed, thereby providing an optimal finish.

#### The benefits at a glance

- Effective painting and coating of large surfaces
- Saves materials and solvent
- Higher coating thickness in just one pass
- Better use of energy due to minimal air consumption
- Closed, uniform spray pattern
- Little spray mist when correctly configured
- Explosion protected as operated by compressed air

Existing Airless spraying units can be converted into the Air-Combi system.



WIWA PROFIT  
Air-Combi finishing systems

### AIR COMBI Air-assisted painting

**Das Air-Combi-Verfahren kombiniert die Vorteile von Airless- und konventionellem Spritzverfahren.**

Using this painting method, the spraying agent is transferred to the spray gun under moderate pressure and pre-atomised. The fine spray distribution is achieved by applying regulated compressed air as the paint is discharged. A soft, controllable spray jet is produced with minimum paint mist.

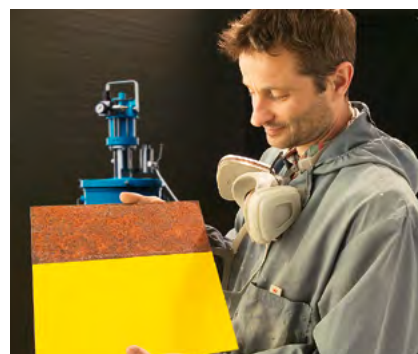
Ideal for highly refined painting tasks on large surface areas as well as for angular components and shaped or small workpieces.

#### The benefits at a glance

- Hohe Materialeinsparungen
- Erstklassige Lackierqualität durch feinste Zerstäubung
- Geringe Betriebskosten, da niedriger Luftverbrauch
- Weicher, regelbarer Spritzstrahl
- Geringer Verschleiß der Pumpe durch niedrigen Materialdruck
- Umweltfreundlich durch minimalen Overspray



## WIWA PROFIT – AIRLESS AND AIR-COMBI PAINTING EQUIPMENT



WIWA PROFIT –  
proven technology  
that meets all  
requirements for  
everyday work

The compact dimensions of the high performance units in the WIWA PROFIT series makes them ideal for flexible use by trade and industry. As all models come in both Airless and Air Combi versions, the right technology is available for nearly all areas of application. Above average durability and trouble free performance are guaranteed by the double pistons, carbide faced valve plates and stainless steel valve balls as well as a dual filter system comprising suction and high pressure filters. A closed lubrication chamber separates the air motor and the material pump.

The lubricant prevents paint from drying onto the piston rod and protects the packings.

The PROFIT units with paint feed funnels are ideal for repairs and touch up work, as well as other activities in which only small material quantities should be processed. All units are available in rust and acid proof versions and therefore suitable for use with water based coatings.

### THE ADVANTAGES OF THE PROFIT SERIES

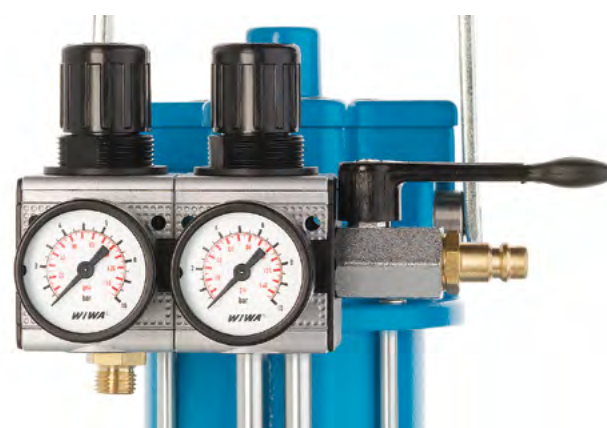
- Ideal for trade and industry
- Portable for flexible use anywhere
- Pulsation is barely noticeable thanks to the high stroke changeover speed
- Spring supported, self adjusting packings reduce wear and tear
- Heavy duty housing and a new seal system further improve safety
- Quicker and simpler maintenance and assembly thanks to direct threading and wrench flats
- As Airless spraying unit: robust and handy for efficient painting and coating
- As Air Combi finishing system for top quality, even finishes



**PROFIT**



All PROFIT units are fitted with a high pressure filter as standard



Double compressed air regulator for spray pressure and atomiser air (Air Combi)

## WIWA PROFIT – CONFIGURATION OPTIONS

Technical Data						
Model	3010	3022	3033	4210	4222	4233
Max. output	3.0 l/min	3.0 l/min	3.0 l/min	4.2 l/min	4.2 l/min	4.2 l/min
Pressure ratio	10:1	22:1	33:1	10:1	22:1	33:1
Pump capacity per double stroke	14 cm <sup>3</sup>	14 cm <sup>3</sup>	14 cm <sup>3</sup>	27 cm <sup>3</sup>	27 cm <sup>3</sup>	27 cm <sup>3</sup>
Max. air inlet pressure	8 bar	8 bar	8 bar	8 bar	8 bar	8 bar
Max. operating pressure	80 bar	176 bar	264 bar	80 bar	176 bar	264 bar
Piston diameter of the air motor	50 mm	70 mm	85 mm	50 mm	70 mm	85 mm
Piston stroke of the air motor	42 mm	42 mm	42 mm	75 mm	75 mm	75 mm

Version	N	RS	N	RS	N	RS	N	RS	N	RS	N	RS
---------	---	----	---	----	---	----	---	----	---	----	---	----

PROFIT Airless spraying unit <sup>1,2</sup>												
With pail <sup>5</sup>	0644260	0644261	0644270	0644271	0644280	0644281	0644290	0644291	0644300	0644301	0644310	0644311
On tripod	0644262	0644263	0644272	0644273	0644282	0644283	0644292	0644293	0644302	0644303	0644312	0644313
On cart	0644264	0644265	0644274	0644275	0644284	0644285	0644294	0644295	0644304	0644305	0644314	0644315
With feed funnel	0644266	0644267	0644276	0644277	0644286	0644287	0644296	0644297	0644306	0644307	0644316	0644317
On wall bracket	0644268	0644269	0644278	0644279	0644288	0644289	0644298	0644299	0644308	0644309	0644318	0644319
On elevator	-	-	-	-	-	-	-	-	-	-	-	0664668

PROFIT Air-Combi finishing systems <sup>3,4</sup>												
With pail <sup>5</sup>	0644320	0644321	0644330	0644331	0644340	0644341	0644350	0644351	0644360	0644361	0644370	0644371
On tripod	0644322	0644323	0644332	0644333	0644342	0644343	0644352	0644353	0644362	0644363	0644372	0644373
On cart	0644324	0644325	0644334	0644335	0644344	0644345	0644354	0644355	0644364	0644365	0644374	0644375
With feed funnel	0644326	0644327	0644336	0644337	0644346	0644347	0644356	0644357	0644366	0644367	0644376	0644377
On wall bracket	0644328	0644329	0644338	0644339	0644348	0644349	0644358	0644359	0644368	0644369	0644378	0644379

N = Carbon steel version  
R = Stainless steel version  
RS = Rust and acid proof version

1 Spray accessory kit no. 01 N + R  
Order no. 0621625 comprising:  
• WIWA 250 D Airless spray gun (with swivel joint)  
• NW6 material hose (1/4"), 410 bar, 7.5 m  
• Standard nozzle 40° – 0.33 mm

2 Spray accessory kit no. 10 RS  
Order no. 0629957 comprising:  
• WIWA 500 F Airless spray gun (with swivel joint)  
• (RS) NW6 material hose (1/4"), 410 bar, 7.5 m  
• Standard nozzle 65° – 0.33 mm

3 Air Combi spray gun  
Order-no. 0653095  
Nozzle included.

4 WIWA PROFIT Air-Combi  
All Air Combi paint spraying units come with an NW6 air and material hose.

5 WIWA PROFIT pail  
The pail designs are only available in N = mild steel version and R = stainless steel versions.



- 1 WIWA PROFIT with pail
- 2 WIWA PROFIT on tripod
- 3 WIWA PROFIT with feed funnel ... or WIWA PROFIT on elevator
- 4 WIWA PROFIT on wall bracket
- 5 WIWA PROFIT on cart

### DESIGN FEATURES OF THE PROFIT SERIES

#### Air motor

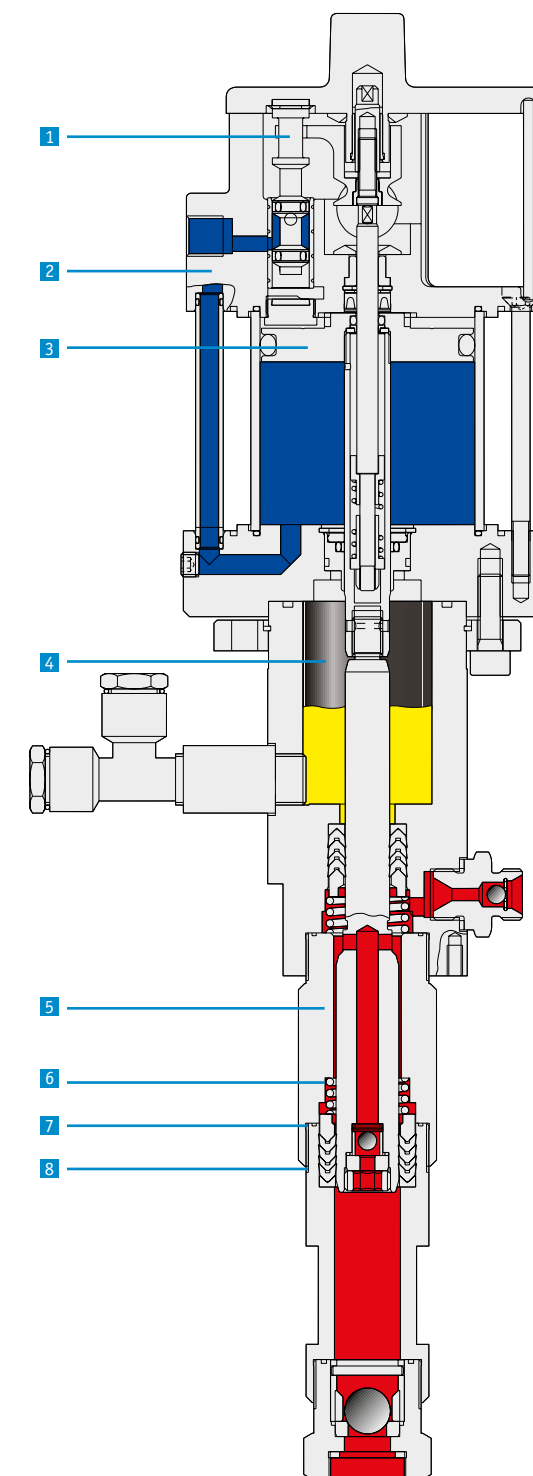
- 1 Pulsation is barely noticeable thanks to the high stroke changeover speed.
- 2 Low number of components make the motor easy to assemble and disassemble.
- 3 Pressure ratio can be varied by changing the air motor piston diameter.

#### Lubrication chamber

- 4 A closed lubrication chamber separates the air motor and the material pump. The closed design prevents foreign objects such as blasting material from entering the pump system from the outside. The lubricant also prevents paint from drying onto the piston rod and protects the packings.

#### Material pump

- Less pressure loss even with highly viscous materials due to large bores and voluminous material passages in the bottom valve.
- 5 Precision guides ensure simple and exact alignment of components and thus less wear and tear.
  - 6 Better flushing due to short packing retention springs and large fluid passages.
  - 7 Sealing rings located in front of the threads prevent the threads from sticking and make disassembly easier.
  - 8 Pump components are quick to assemble and disassemble as they are simply screwed together.



The WIWA modular system meets all your requirements!

# PROFIT



## WIWA PROFIT – AREAS OF APPLICATION



### THE AREAS OF APPLICATION OF THE PROFIT SERIES

- Carpentry shops
- Furniture industry
- Paint and finishing shops
- Machine and automotive construction

We recommend	PROFIT Airless paint spraying units				PROFIT Air-Combi finishing units						
Model	3022	3033	4222	4233	3010	3022	3033	4210	4222	4233	
Max. output	3,0 l/min	3,0 l/min	4,2 l/min	4,2 l/min	3,0 l/min	3,0 l/min	3,0 l/min	4,2 l/min	4,2 l/min	4,2 l/min	
Pressure ratio	22:1	33:1	22:1	33:1	10:1	22:1	33:1	10:1	22:1	33:1	
Pump capacity per double stroke	14 cm <sup>3</sup>	14 cm <sup>3</sup>	27 cm <sup>3</sup>	27 cm <sup>3</sup>	14 cm <sup>3</sup>	14 cm <sup>3</sup>	14 cm <sup>3</sup>	27 cm <sup>3</sup>	27 cm <sup>3</sup>	27 cm <sup>3</sup>	

#### Areas of application

Carpentry shops	●	●	●	●	●	●	●	●	●	●
Furniture industry	○	○	●	●	○	○	○	○	○	●
Paint and finishing shops	–	–	○	○	–	–	–	○	○	●
Machine/automotive construction	–	–	–	○	–	–	–	○	○	○

#### Spraying agent

Oils and grease	○	●	○	●	○	●	●	○	●	●
Thick-coat varnishes	–	●	–	●	●	●	●	●	●	●
Primers	○	●	●	●	●	●	●	●	●	●
Sprayable spackle	–	○	–	○	–	–	–	–	–	–
Sprayable paints and varnishes	●	●	●	●	●	●	●	●	●	●
Two-component materials	○	○	○	○	–	○	○	–	○	○
Textured lacquers	–	●	–	●	●	●	●	●	●	●
Hammered effect lacquers	–	●	○	●	●	●	●	●	●	●
Water soluble materials	○	●	○	●	●	●	●	●	●	●
Water based paints	○	○	○	●	●	●	●	●	●	●

● Very suitable ○ Suitable – Unsuitable

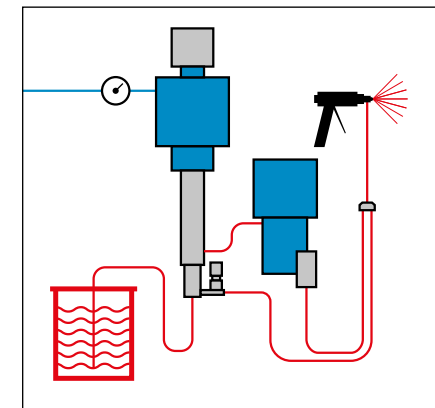
Existing Airless spraying units can be converted into Air-Combi systems.



# PROFIT



## WIWA PHOENIX GX - AIRLESS, AIR-COMBI AND HOT-JOB SPRAYING UNITS FOR TRADE AND INDUSTRY



WIWA PHOENIX GX  
Hot-job hot-spraying system

Above-average durability is a must for an efficient use.

Like all other WIWA equipment series, the WIWA PHOENIX GX series impresses through the above-average durability of all its components. Carefully selected, high quality materials reduce wear and tear during daily operation and keep repair costs to a minimum. If the usage conditions change, the pressure ratio and output can be easily adjusted by replacing a small number of components, thus avoiding additional investments.

The PHOENIX GX series is uniquely versatile thanks to its sophisticated design. The units, which are made from few components, can be quickly and modularly assembled and converted for various areas of application. All units are available in rust and acid proof versions and therefore ideally suited for use with water based coatings.

### HOT-SPRAYING SYSTEMS

**The hot spraying equipment for higher film builds, shorter drying times and the finest finish quality.**

During the hot spraying process the spraying agent is heated to the desired spraying temperature using the WIWA material flow heater.

This eliminates the need to use solvents to alter the viscosity. An adjustable circulation system maintains a constant material temperature.

#### The benefits at a glance

- Excellent surface coverage
- Short drying periods
- High film builds
- Even highly viscous materials can be effortlessly processed
- Environmentally and user friendly as no solvents are required
- Glossier surfaces due to improved paint dispersion



**WIWA MATERIAL  
FLUID HEATER**



All PHOENIX GX units are fitted with a high pressure filter as standard.



All PHOENIX GX units are supplied with a maintenance unit as standard.

## WIWA PHOENIX GX – CONFIGURATION OPTIONS

Technical Data							
Model	105030	140053	105018	140032	140020	200042	200065
Max. output (at 60 DS)	2.6 l	2.6 l	4.3 l	4.3 l	6.7 l	6.7 l	4.3 l
Pressure ratio	30:1	53:1	18:1	32:1	20:1	42:1	65:1
Pump capacity per double stroke	43 cm <sup>3</sup>	43 cm <sup>3</sup>	72 cm <sup>3</sup>	72 cm <sup>3</sup>	111 cm <sup>3</sup>	111 cm <sup>3</sup>	72 cm <sup>3</sup>
Max. air inlet pressure	8	8	8	8	8	8	7
Max. operating pressure	240 bar	424 bar	144 bar	256 bar	160 bar	336 bar	455 bar
Piston diameter of the air motor	105 mm	140 mm	105 mm	140 mm	140 mm	200 mm	200 mm

Order no.							
PHOENIX GX on cart	0666589	0666591	0666590	0663944	0666592	0666559	0666593
PHOENIX GX on tripod	0667916	0667923	0667920	0667926	0667929	0667934	0667931
PHOENIX GX on wall bracket	0667919	0667925	0667922	0667927	0667930	0667935	0667933
PHOENIX GX with feed funnel	0667918	-	-	-	-	-	-
PHOENIX GX on elevator	0669512	0669510	0669511	0669509	0669513	0669514	0669515



1

WIWA PHOENIX GX on cart



2

WIWA PHOENIX GX on tripod



3

WIWA PHOENIX GX with feed funnel



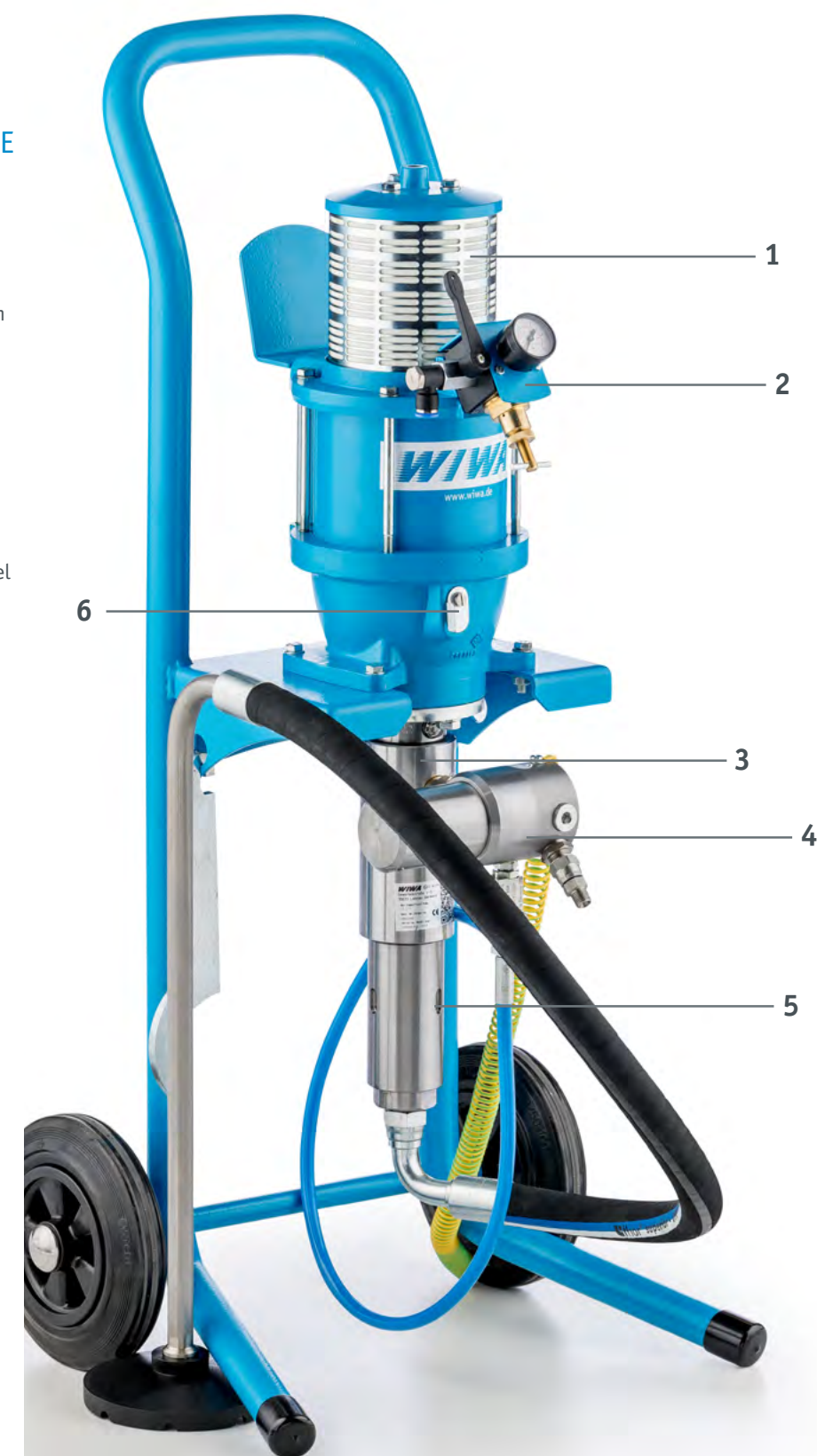
4

WIWA PHOENIX GX on elevator

... or WIWA PHOENIX GX on wall bracket

### PERFORMANCE, JUST LIKE THE BIG ONES

- 1 Oil-free and low-icing, technically optimized highperformance air motor
- 2 Maintenance unit in a compact design directly on the air motor
- 3 Material pump and HP filter made of stainless steel
- 4 Easy to open high pressure filter with hook spanner
- 5 Coarse threads for easy assembly and disassembly of the material pump
- 6 Throat seal liquid sight glass; the level of throat seal liquid can be easily checked



# PHOENIX GX



## WIWA PHOENIX GX – DIE ANWENDUNGSGEBIETE

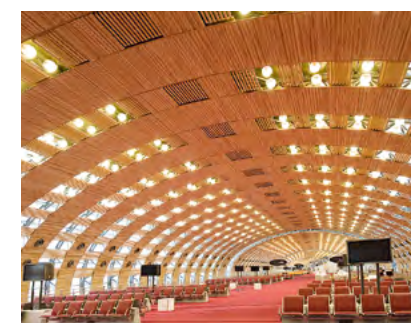


### MATERIALS

- Primers
- Sprayable spackle
- Sprayable paints and varnishes
- Plural-component and tar-epoxy paints (highly viscous and coarsely pigmented)
- Textured lacquers
- Hammered effect lacquers
- Zinc dust paints
- Anti-rust and micaceous iron oxide paints
- Low-solvent and solvent-free paints
- Stains
- Water-based varnished
- Transparent lacquers
- Thick-film varnishes

### DIE EINSATZGEBIETE DER PHOENIX GX-SERIE

- Carpentries
- Furniture industry
- Paint shops
- Machinery and vehicle manufacture
- Steel and hall construction
- Steel processing industry
- Automatic and manual spray painting systems
- Marine coatings (interior coatings)
- Railcar manufacture
- Fluid transfer and paint supply systems



# PHOENIX GX



## PRODUCT RANGE

ISO 9001

BUREAU VERITAS  
Certification



### Head Office and Production Germany

WIWA Wilhelm Wagner GmbH & Co. KG  
Gewerbestraße 1-3  
35633 Lahnau, Germany  
Visitor address: Georg-Ohm-Straße 12  
35633 Lahnau, Germany  
Tel.: +49 (0) 6441 609-0

[www.wiwa.de](http://www.wiwa.de)

### WIWA USA

WIWA LLC – USA, Canada, Latin America  
107 N. Main St.  
P.O. Box 398, Alger, OH 45812  
Tel.: +1-419-757-0141  
Fax: +1-419-549-5173  
Toll-Free: +1-855-757-0141

[www.wiwausa.com](http://www.wiwausa.com)

WIWA's extensive product range includes 1K, 2K and 3K application equipment for painting, coating and bonding in the machinery and vehicle manufacturing industries and for large surface, high viscosity and high build coatings used in the marine and offshore industries and steel and masonry construction for corrosion-proofing, surface sealing and passive fire protection.



WIWA FLEXIMIX 2 ATEX, electronic plural component spray equipment



WIWA DUOMIX, pneumatic plural component spray equipment



WIWA DUOMIX PU HX, hydraulic plural component spray equipment



WIWA DUOMIX 333 PFP ATEX for intumescent fire protection material



WIWA HERKULES GX 333 GX, single feed (airless) spray equipment



WIWA VULKAN, pneumatic extrusion equipment